



Eurotrac
Stougjesdijk 153 3271KB
Mijnsheerenland NL
info@eurotrac.nl
+31 (0) 186 612333



EUROTRAC HE12

Mini 1.2 tonne excavator, Eurotrac HE12

Fitted as standard with:

- Kubota D722
- Net weight: 1130 kg
- Hydraulic adjustable tracks
- Swing boom
- Extra hydraulic function
- Mechanical quick coupler

€12,200.00

Specifications

DIMENSIONS

Ground clearance	120
Max. Digging depth	1650
Max. Digging height	2365
Max. Tipping height	1655
Max. excavation radius	3390
Track distance	650

ELECTRICAL INFORMATION

Battery capacity	60
Electric system	12 V

ENGINE

Cooling	Liquid
Engine power	13.6

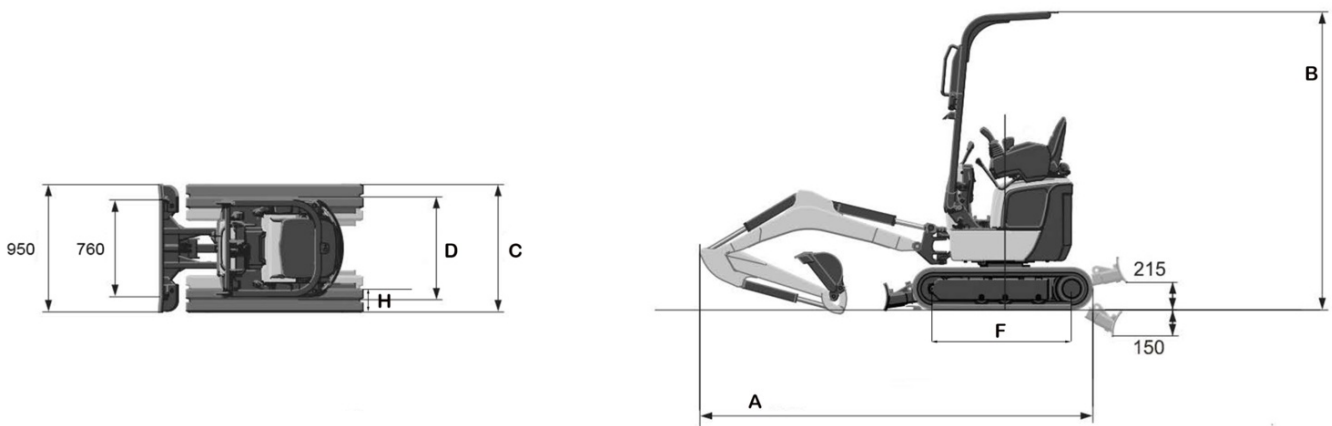
TECHNICAL SPECIFICATIONS

Gradeability	58
Ground pressure	30
Max. Digging force	11.4
Rotation speed	8.6

WEIGHT

Own weight	1130
------------	------

Technical drawing



(A) Overall length with bin	2960
(B) Height to top of roof	2270
(C) Overall width	950
(D) Cabin width	800
(F) Cradle base	950
(H) Width of tracks	180

Pictures

