



**Eurotrac**  
Stougjesdijk 153 3271KB  
Mijnsheerenland NL  
[info@eurotrac.nl](mailto:info@eurotrac.nl)  
+31 (0) 186 612333



## EUROTRAC HE26-SR

Fitted as standard with:

- Yanmar 3TNV80
- Rupper tracks
- Swing boom
- Extra hydr. function
- Sliding blade
- Hammer/sorter function
- Cab with heater

**€28,600.00**

### Specifications

#### DIMENSIONS

Digging depth	2800
Max. Digging depth	2800
Max. Digging height	4170
Max. Tipping height	2841
Max. excavation radius	4651
Track distance	1200

#### ELECTRICAL INFORMATION

Battery capacity	60
Electric system	12 V

#### ENGINE

Cooling	Liquid
Engine power	19

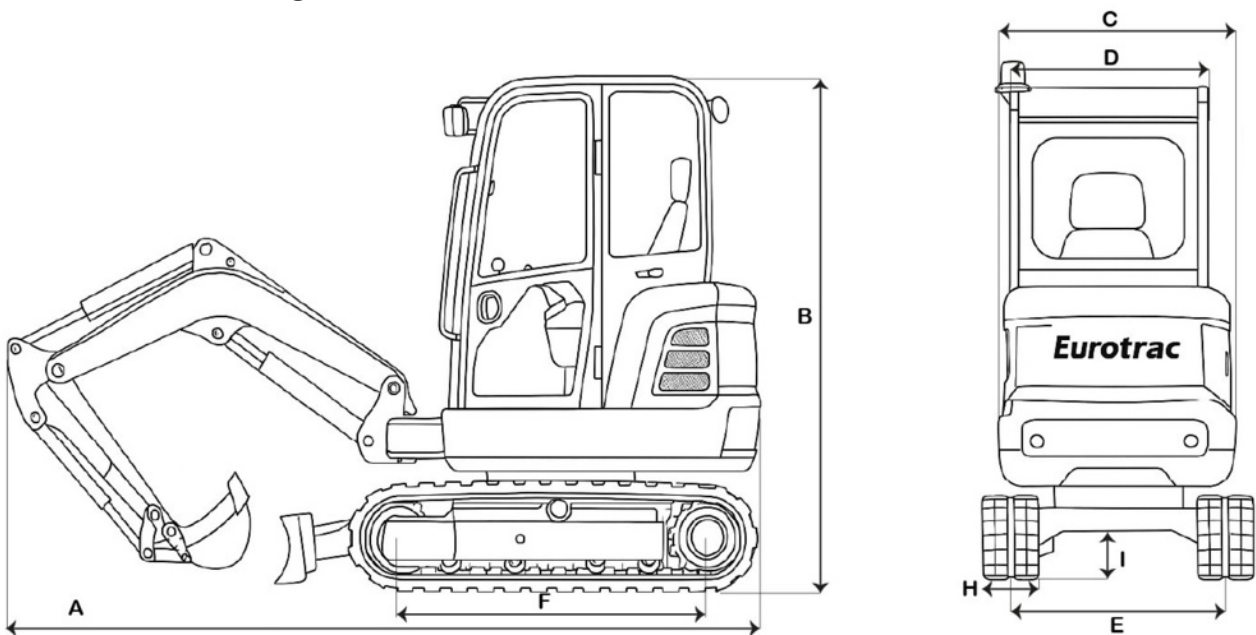
## TECHNICAL SPECIFICATIONS

Gradeability	58
Ground pressure	25
Max. Digging force	24
Rotation speed	9.5

## WEIGHT

Own weight	2650
------------	------

## Technical drawing



(A) Overall length with bin	4147
(B) Height to top of roof	2453
(C) Overall width	1500
(D) Cabin width	1450
(E) Track width	1200
(F) Cradle base	1560
(H) Width of tracks	300
(I) Ground clearance	165

## Pictures

