



Eurotrac
Stougjesdijk 153 3271KB
Mijnsheerenland NL
info@eurotrac.nl
+31 (0) 186 612333



EUROTRAC HE18-SR

Fitted as standard with:

- Kubota D902, Stage V Engine
- Swing arm
- 2 travel speeds
- Hydr. adjustable tracks
- Hammer/sorter function
- Working light on boom
- Sliding blade

€19,625.00

Specifications

DIMENSIONS

Digging depth	2365
Max. Digging depth	2365
Max. Digging height	3000
Max. Tipping height	1990
Max. excavation radius	3976
Track distance	800

ELECTRICAL INFORMATION

Battery capacity	60
Electric system	12 V

ENGINE

Cooling	Liquid
Engine power	16

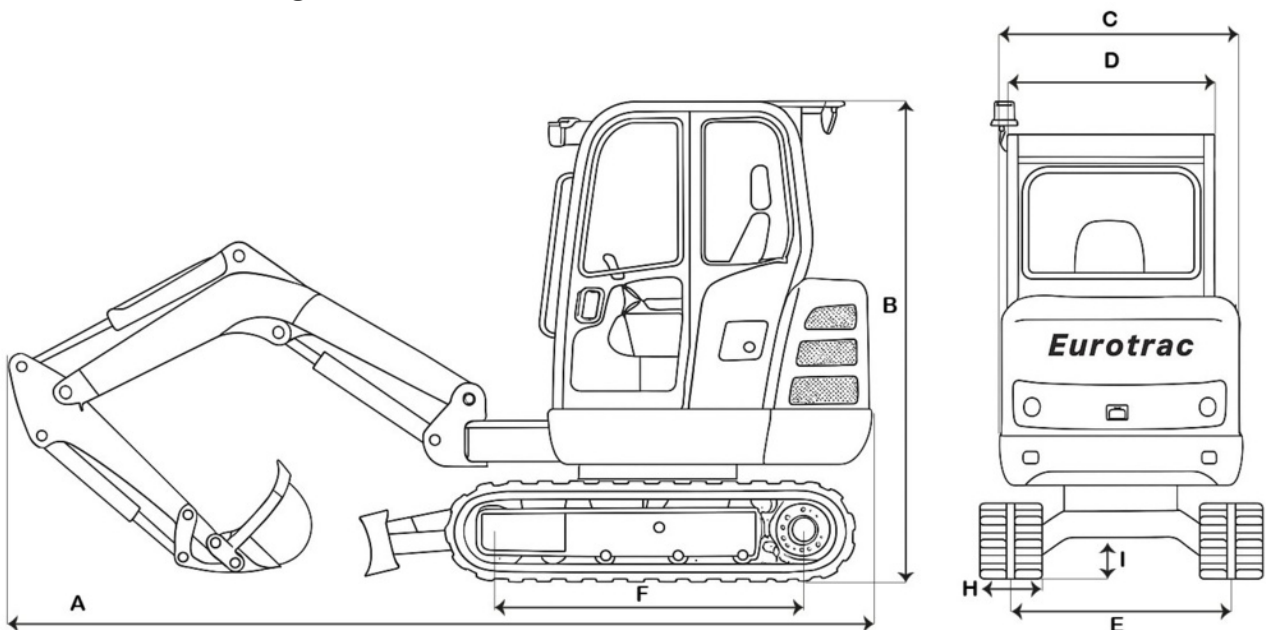
TECHNICAL SPECIFICATIONS

Gradeability	58
Ground pressure	28.9
Max. Digging force	11
Rotation speed	9

WEIGHT

Own weight	1750
------------	------

Technical drawing



(A) Overall length with bin	3545
(B) Height to top of roof	2250
(C) Overall width	1060
(D) Cabin width	940
(F) Cradle base	135
(H) Width of tracks	225
(I) Ground clearance	165

Pictures

