



Eurotrac
Stougesdijk 153 3271KB
Mijnsheerenland NL
info@eurotrac.nl
+31 (0) 186 612333



EUROTRAC HE18

Fitted as standard with:

- Kubota D1105, Stage V Engine
- Net weight: 1780 Kg
- Swing arm
- 2 travel speeds
- Hydr. adjustable tracks
- Hammer/sorter function
- Blade

€19,200.00

Specifications

DIMENSIONS

Max. Digging depth	2380
Max. Digging height	3450
Max. Tipping height	2380
Max. excavation radius	3920
Track distance	800

ELECTRICAL INFORMATION

Battery capacity	60
Electric system	12 V

ENGINE

Cooling	Liquid
Engine power	19.2

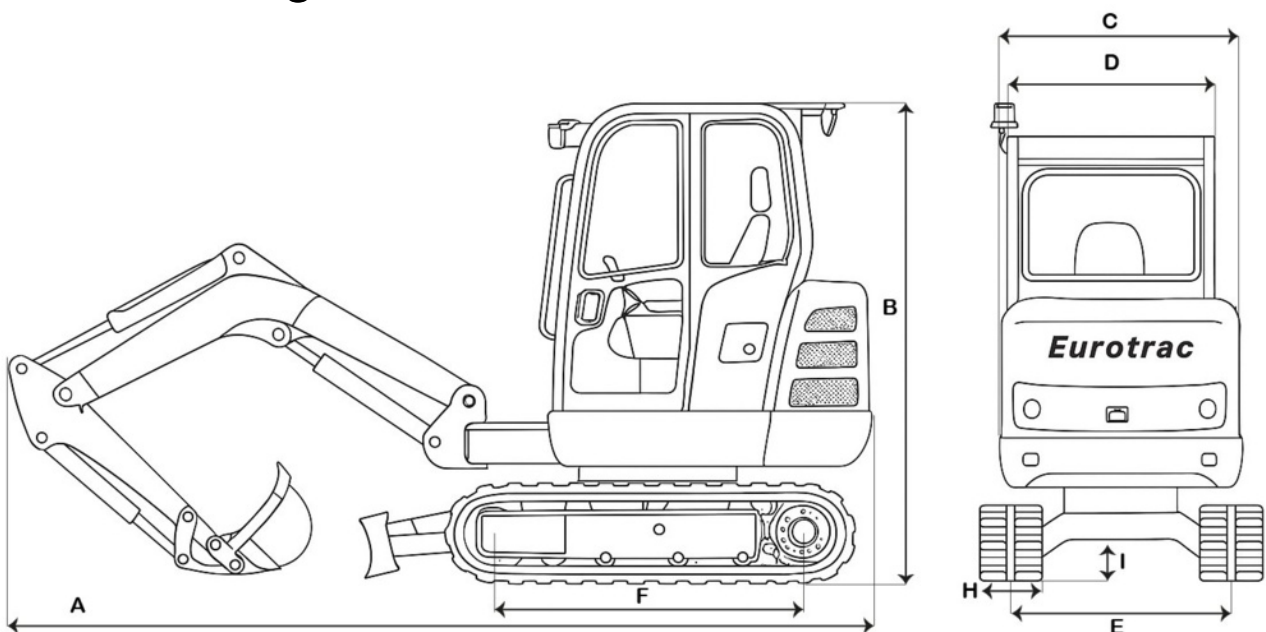
TECHNICAL SPECIFICATIONS

Gradeability	58
Ground pressure	28.9
Max. Digging force	11.3
Rotation speed	12

WEIGHT

Own weight	1780
------------	------

Technical drawing



(A) Overall length with bin	3828
(B) Height to top of roof	2250
(C) Overall width	1060
(D) Cabin width	970
(F) Cradle base	135
(H) Width of tracks	225
(I) Ground clearance	165

Pictures

